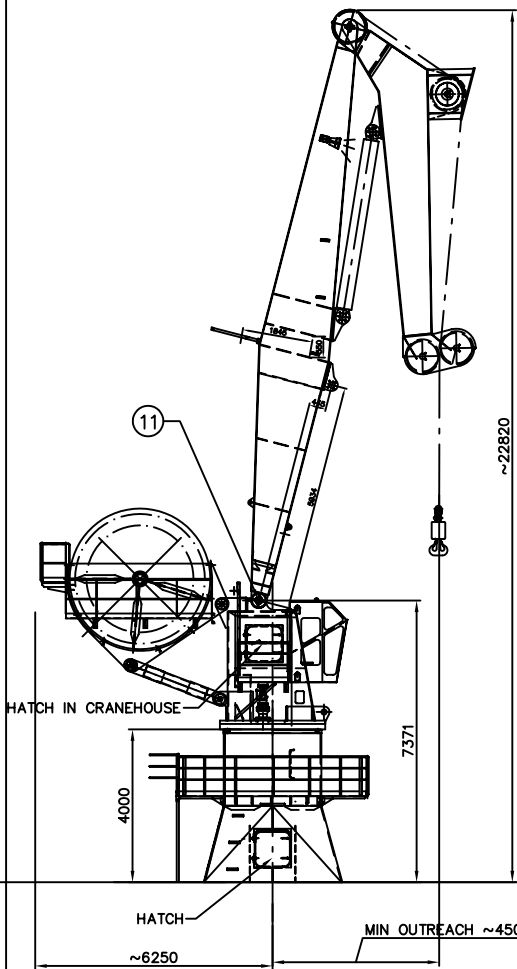
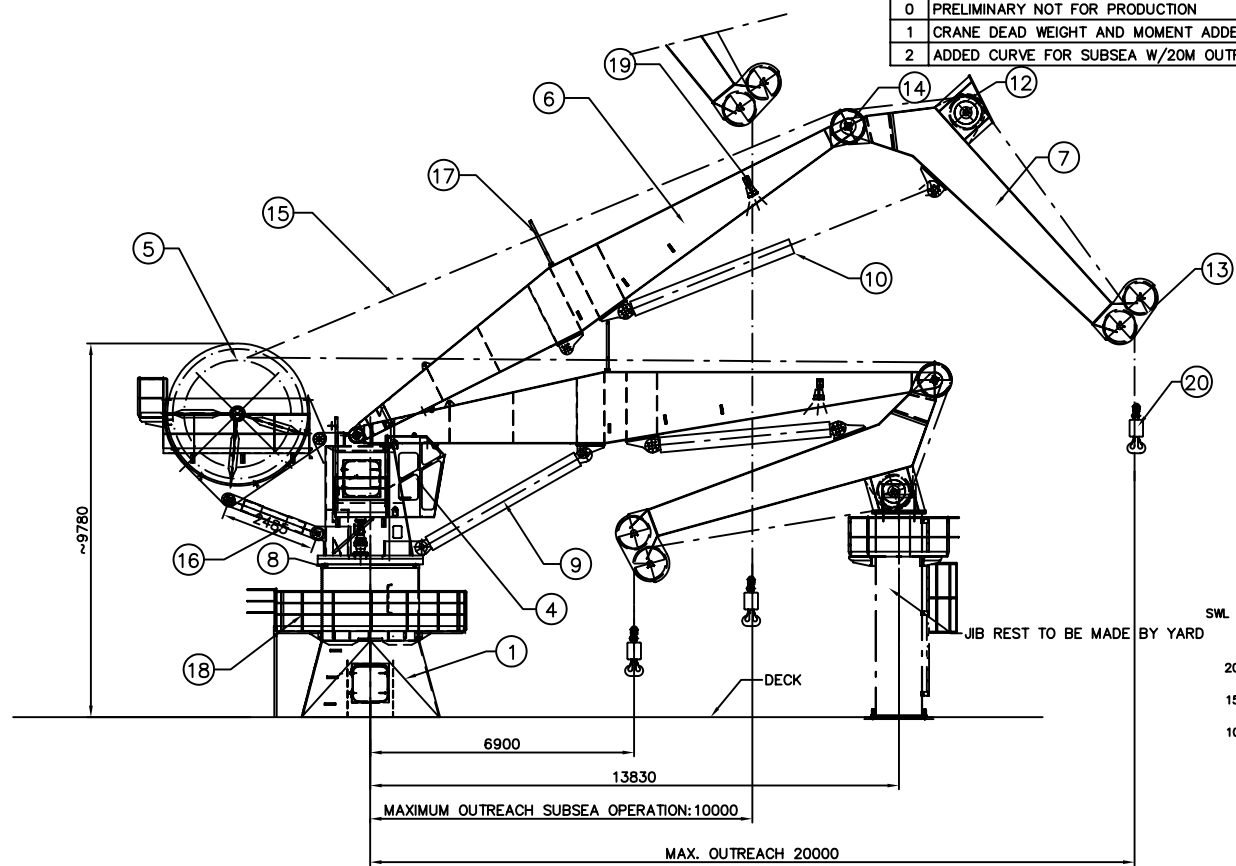


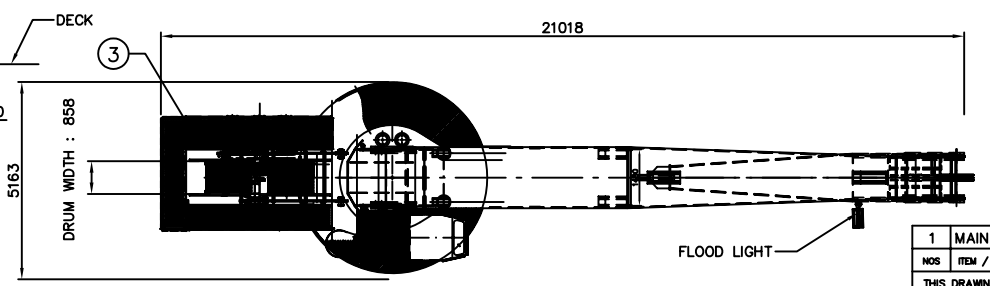
REV	ALTERATION	SIGN / DATE
0	PRELIMINARY NOT FOR PRODUCTION	JHE / 15.04.02
1	CRANE DEAD WEIGHT AND MOMENT ADDED/ADDED LOAD DIAG. SUBSEA	JHE / 22.04.02
2	ADDED CURVE FOR SUBSEA W/20M OUTREACH	JHE / 25.04.02



CRANE IN MAX. RAISED POSITION



CRANE IN PARKED AND MAX. OUTREACHED POSITION



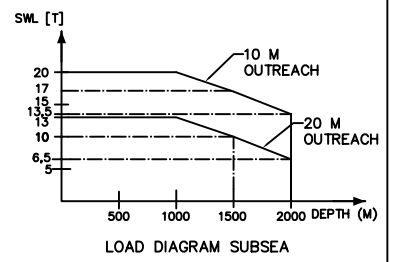
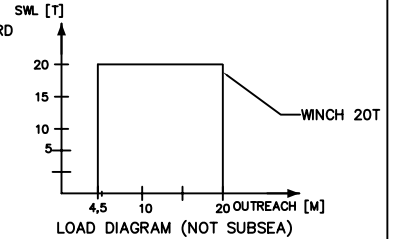
TOP VIEW CRANE IN PARKED POSITION

**GENERAL TOLERANCES**

- CRANE FOUNDATION TO BE HELD TO SUBSTRUCTURE PRIOR TO INSTALLING CRANE WITH SLEW BEARING.
- SLEW BEARING SUPPORT FLANGE HAS TO BE MEASURED FOR PLAINNESS AFTER ALL BEARINGS HAS BEEN COMPLETED AND STRUCTURE RETURNED TO NORMAL TEMPERATURE.
- FOR OPTIMAL SLEW BEARING LIFE THE FLATNESS HAS TO BE KEPT WITHIN GIVEN TOLERANCES.

FOR TOLERANCES AND TONGUE SEE SPECIAL DRAWINGS.

**CRANE DEAD WEIGHT INCL. PEDESTAL AND OR:** ~ 100 TON  
**DEAD WEIGHT + LOAD (STATIC):** ~120 T  
**DEAD WEIGHT + LOAD (DYNAMIC):** ~172 T  
**TOTAL MAX MOMENT STATIC:** ~ 601 TM  
**TOTAL MAX MOMENT DYNAMIC:** ~ 1578 TM  
**HOISTING HEIGHT:** 2000 M  
**HOISTING/LOWERING SPEED SWL:** 40 M/MIN  
**HOIST/LOWER. SPEED LIGHT LOAD:** 100 M/MIN  
**LIFTING SPEED (AVERAGE UP/DOWN):** 70SEC  
**SLEWING SECTOR:** LIMITED 360°  
**SLEWING SPEED:** 1 RPM  
**POWER TAKE OFF (PEAK):** ~ 395 KW SB-40%  
**POWER SOURCE:** 3x440V-60 HZ



1 MAIN PART LIST		1 A4-10810		
NOS	ITEM / DIMENSION	POS	MATR / DRWG / ART NO	WEIGHT
THIS DRAWING IS THE PROPERTY OF TTS-NORLIFT % AND MUST NOT BE REPRODUCED WITHOUT OUR WRITTEN CONSENT				
DRAWN BY JHE 15.04.02		CHECKED BY		APPR BY
PROJECT CRANE 2236		PROJECT		
GPCFO 1250 - 2020		SCALE 1:100		
DRWG NAME GENERAL ARRANGEMENT		DRWG NO A2-8926-2		
REPLACES		REPLACED BY		MASTER DRWG